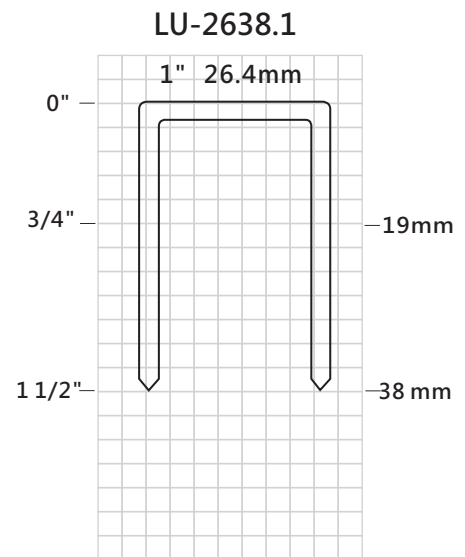


LU-2638.1

Staplers

16 GA Wide Crown Stapler, Senco P



▲ Features

- Patented Quick Release Nose Cover
- 360° Adjustable Air Deflector
- Comfortable rubber Grip
- Sequential Fire Trigger Available (#34903501A)

▲ Applications

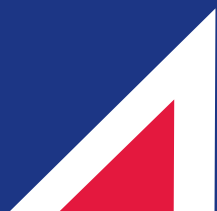
- Roofing, Sheathing, Wire Lathe
- Framing, Window & Door Manufacturing
- Pre-Fabricated Housing, Trusses
- Pallets, Crating

▲ Fasteners

- Compatible with Complete P, Senco P, Duo-Fast 1700 Series
- \varnothing .063 x .055" / 1.6 x 1.4 mm

▲ Tool Specifications

Weight	Dimensions (L x W x H)	Operating Pressure	Load Capacity
2.4 kgs	359 x 70 x 257 mm	6-8 kg / cm ²	160 staples
5.3 lbs	14.13 x 2.75 x 10.12"	85-110 psi	160 staples



APACH INDUSTRIAL CO., LTD.

176 Industrial 9th Rd., Tali Dist., Taichung City, Taiwan 41280

Tel +886 4 2491 5576 Fax +886 4 2491 5580

www.apach.com.tw

