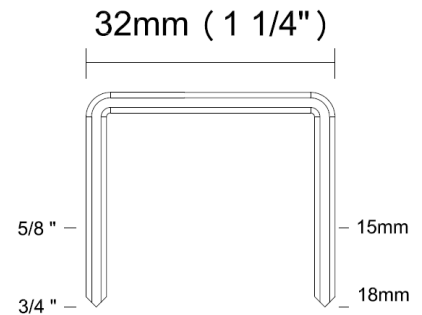


Strip Series

Carton Closing Staplers



▲ Features

- C strip Staple Type
- Ergonomic Handle
- Light Weight and Well Balanced
- Long Magazine for 150 Staples
- Two-piece magazine design more durable

▲ Features

Model	Staple Type	Crown	Length	Shank Diameter
AMS-15C	C Strip	32 mm	15 mm	1.9x0.9 mm
		1 1/4"	5/8"	.074 x .037"
AMS-18C	C Strip	32 mm	18 mm	1.9x0.9 mm
		1 1/4"	3/4"	.074 x .037"

▲ Tool Specifications

Weight	Dimensions	Load Capacity
2.5 kgs	420 x 90 x 125mm	150 Staples
5.5 lbs	16.5 x 3.5 x 8.5"	150 Staples

APACH INDUSTRIAL CO., LTD.

176 Industrial 9th Rd., Tali Dist., Taichung City, Taiwan 41280
 Tel +886 4 2491 5576 Fax +886 4 2491 5580
www.apach.com.tw

